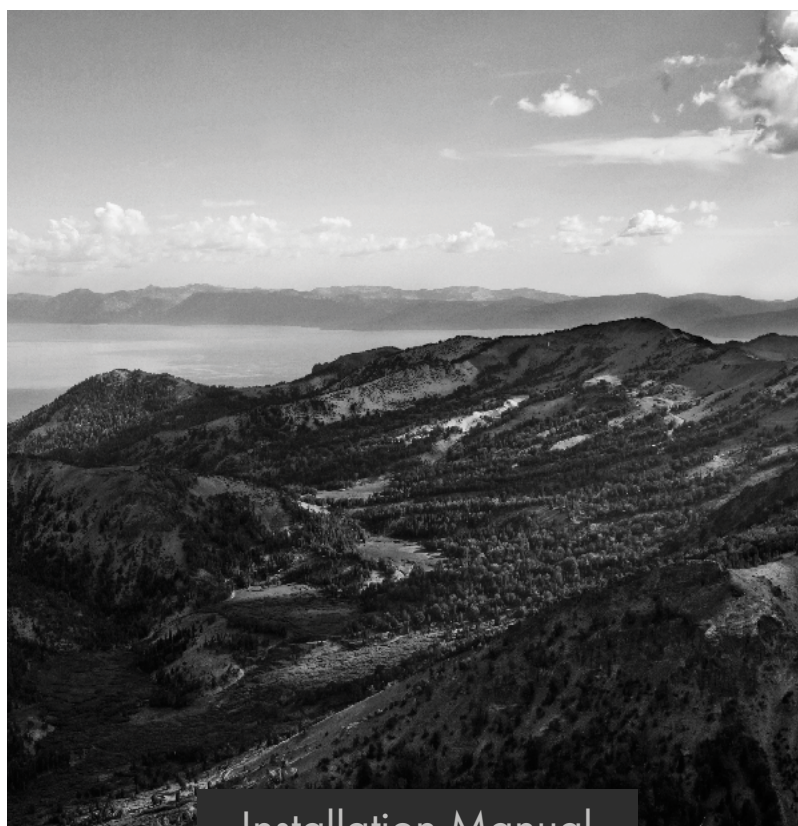


# ZLINE

ATTAINABLE LUXURY<sup>®</sup>



Installation Manual

## MONUMENT DISHWASHER WITH DURAWASH

[www.zlinekitchen.com](http://www.zlinekitchen.com)



ZLINE Kitchen and Bath provides Attainable Luxury, where the kitchen and bath of your dreams is never out of reach. Through our unique designs and unparalleled quality, we're dedicated to providing you an elevated experience in the heart of your home. With an endless selection of features and finishes, our inspiration is your reality.

**ZLINE**  
ATTAINABLE LUXURY®





ZLINE is fueled by a passion for innovation; A relentless pursuit of bringing the highest end luxury designs and professional features into everyone's homes. Because we continually strive to improve our products, we may change specifications and designs without prior notice.

**⚠ WARNING:** This product can expose you to chemicals including nickel, which is known to the State of California to cause cancer. For more information, go to [www.P65Warnings.ca.gov](http://www.P65Warnings.ca.gov).

# TABLE OF CONTENTS

IMPORTANT SAFETY INSTRUCTIONS.....	1
BEFORE INSTALLATION.....	6
Pre-Installation Notes. . . . .	6
Drain Requirements. . . . .	8
Electrical Requirements. . . . .	10
Preparing The Hot Water Line . . . . .	13
INSTALLATION . . . . .	15
Step 1: Install The Decorative Door Panel To The Outer Door Of The Dishwasher . . . . .	15
Step 2: Check The Door Balance. . . . .	18
Step 3: Adjust The Leveling Legs . . . . .	19
Step 4: Remove The Kick Plate . . . . .	20
Step 5: Install Power . . . . .	20
Step 6: Install The 90° Water Supply Elbow . . . . .	23
Step 7: Install The Drain Hose . . . . .	24
Step 8: Level The Dishwasher . . . . .	25
Step 9: Inserting The Drain Hose Through The Cabinet. . . . .	27
Step 10: Slide The Dishwasher Partially Into The Cabinet . . . . .	28
Step 11: Position The Dishwasher Under The Countertop. . . . .	28
Step 12: Securing The Dishwasher To The Countertop . . . . .	29
Step 13: Connecting The Water Supply Line . . . . .	31
Step 14: Connecting The Drain Hose. . . . .	32
Step 15: Performing A Pre-Test Check. . . . .	34
Step 16: Wet Testing The Dishwasher . . . . .	35
WARRANTY.....	36

# IMPORTANT SAFETY INSTRUCTIONS



**CAUTION**  
**RISK OF ELECTRIC SHOCK**  
**DO NOT OPEN**



This symbol indicates that dangerous voltage constituting a risk of electric shock is present within your dishwasher.



This symbol indicates there are important operating and maintenance instructions in the manuals accompanying your dishwasher.

## BEFORE YOU BEGIN

- Read these instructions completely and carefully.
- Keep these instructions.
- Heed all warnings.
- Follow all instructions.
- Clean your unit only with a damp cloth.
- Do not block any ventilation openings. Install in accordance with the manufacturer's instructions.
- Make sure that the available AC power matches the voltage requirements of this appliance.
- Refer all servicing to a qualified service personnel. Servicing is required when the appliance has been damaged in any way or it does not operate normally.



## **ELECTRIC SHOCK HAZARD**

**Failure to follow these instructions can result in electric shock, fire, or death.**

- **WARNING-DANGER:** Never allow children to play with, operate, or crawl inside the dishwasher.
- Turn off the dishwasher before carrying out user maintenance on it.
- If a component or part is damaged, it must be replaced by the manufacturer, a professional service agent, or similar qualified persons in order to avoid a hazard.
- This appliance is intended to be used in a household and similar environments.

# IMPORTANT SAFETY INSTRUCTIONS

## IMPORTANT

- Observe all governing codes and ordinances.
- Note to Installer – Be sure to leave these Installation Manual instructions for the consumer's and local inspector's use.
- Note to Consumer – Keep these Installation Manual instructions with your User Manual for future reference.
- Skill Level – Installation of this dishwasher requires basic mechanical and electrical skills. Proper installation is the responsibility of the installer. Product failure due to improper installation is not covered under the appliance warranty.
- Completion Time – One to three hours. New installations require more time than replacement installations.
- The dishwasher **MUST** be installed in a manner that allows for easy future removal from the enclosure if service is required.
- Do not install this dishwasher if it has missing or broken parts. If the dishwasher arrives damaged, contact ZLINE Customer Service at 1-614-777-5004 for help.

## FOR YOUR SAFETY

Read and observe all **CAUTIONS** and **WARNINGS** shown throughout these instructions. While performing installations described in this booklet, gloves and safety glasses or goggles should be worn.

## WARNING

This dishwasher comes with a heating element to heat the water. To avoid the risk of a serious burn, don't touch the heating element when the dishwasher is on.



To reduce the risk of electrical shock, fire, or injury to persons, the installer must ensure that the dishwasher is completely enclosed at the time of installation.

# IMPORTANT SAFETY INSTRUCTIONS

## FOR YOUR SAFETY

Read and observe all **CAUTIONS** and **WARNINGS** shown throughout these instructions. While performing installations described in this booklet, gloves and safety glasses or goggles should be worn. Basic precautions before use:

- Read all instructions before using the dishwasher.
- **NOTE:** This Installation Manual does not cover every possible condition and situation that may occur.
- Use the dishwasher only for the intended functions as described in this Installation Manual.
- To ensure the longevity of the dishwasher's optimal wash performance, we recommend rinsing off any large pieces of food from your dishes prior to placing them in the unit for a wash cycle.
- When loading items to be washed:
  - Load sharp items and knives so that they are not likely to damage the door seal, racks, spray arms, and tub.
  - Load sharp items and knives with the handles up to reduce the risk of being cut or suffering other injury.
- Do not wash plastic items (e.g. plastic tableware or Tupperware) unless they are marked dishwasher-safe or the equivalent. If not marked, check with the manufacturer for recommendation — items that are not dishwasher-safe may melt and create a potential fire hazard.
- If the dishwasher drains into a garbage disposal, make sure disposal is completely empty before running dishwasher.
- Do not tamper with the control panel on the dishwasher.
- Do not operate your dishwasher unless all enclosure panels are properly in place.
- Do not touch the heating element during or immediately after use, especially if the sanitize option has been selected.
- Do not let children abuse, sit, or stand on the door or racks of the dishwasher, and do not allow children to tamper with the spray arms, baskets, or other elements inside the unit. Do not store or use combustible materials, gasoline, or other flammable vapors and liquids in the vicinity of this or any other appliance.
- Use only detergents or rinse agents recommended for use in a dishwasher and keep them out of the reach of children and pets.

# IMPORTANT SAFETY INSTRUCTIONS

- Some dishwasher detergents are strongly alkaline. They can be extremely dangerous if swallowed. Avoid contact with the skin and eyes and keep children away from the dishwasher when the door is open.
- Under certain conditions, hydrogen gas may be produced in a hot water system that has not been used for two weeks or more. **HYDROGEN GAS IS EXPLOSIVE.**
- If your home's hot water system has not been used for a period of time, before using the dishwasher again, let the water flow for several minutes. This will release any accumulated hydrogen gas. Hydrogen gas is flammable. Do not smoke or use an open flame during this time.
- Keep young children and infants away from dishwasher when it is operating.
- Do not use the dishwasher if it has a damaged power line or plug, and do not plug the dishwasher into a damaged outlet; failure to observe these instructions may result in electrical shock.
- Remove the door to the washing compartment when removing an old dishwasher from service or discarding it.
- To reduce the risk of injury, do not allow children to play in or on a dishwasher.
- This dishwasher is intended for residential use only and should not be used in commercial establishments. This appliance is not applicable for outdoor usage. The manufacturer disclaims responsibility for damage or injury caused by improper use of this appliance.

**PLEASE SAVE THESE INSTRUCTIONS**



# BEFORE INSTALLATION

## PACKAGE CONTENTS

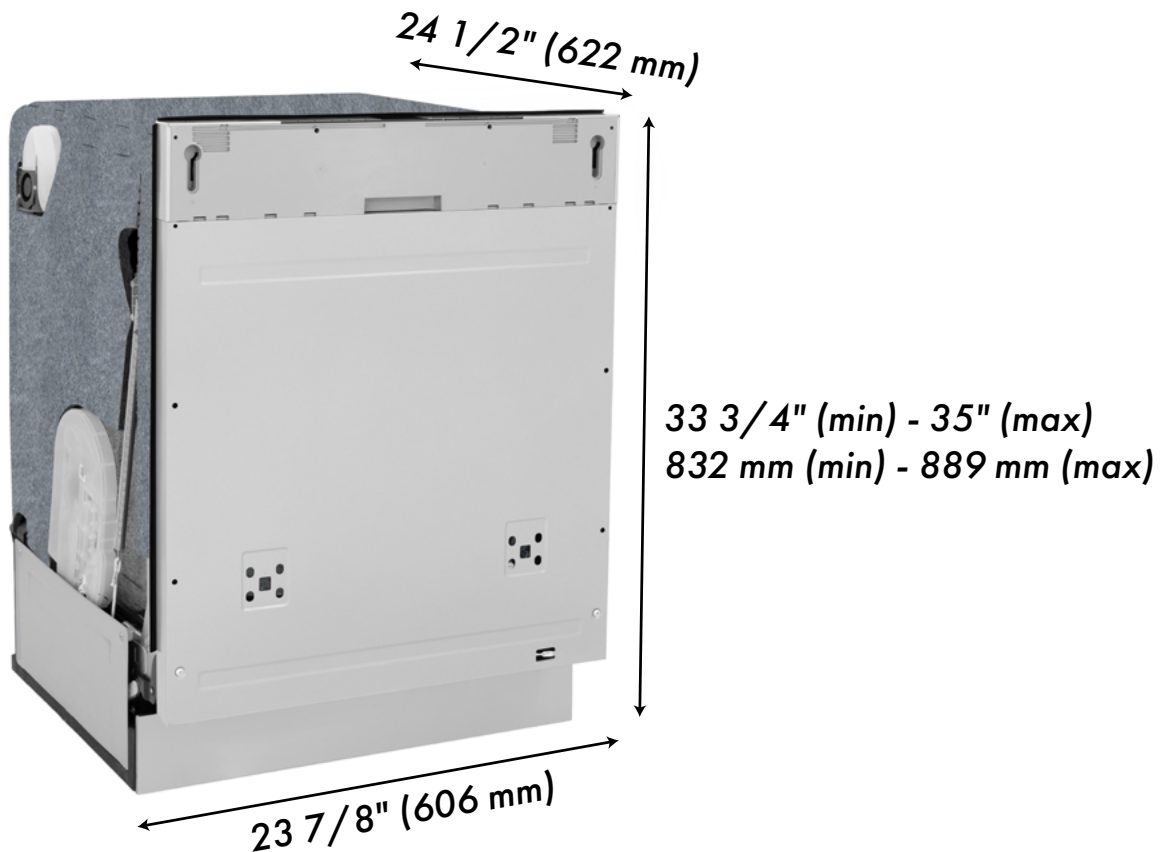
- Dishwasher
- Drain Hose
- Installation Kits
- User Manual
- Installation Manual

**NOTE:** If you have a problem after installation, contact the qualified professional who installed the unit. You are responsible for providing adequate electrical, plumbing, and other connecting facilities. Contact ZLINE Customer Service at 1-614-777-5004 for additional assistance.

<b>PARTS SUPPLIED</b>	
<ul style="list-style-type: none"><li>• Screws A - #8, 3/4", flat head sheet metal screw (4)</li><li>• Screws B - #8, 1/2", flat head sheet metal screw (8)</li><li>• Screws C - #6, 7/8", flat head sheet metal screw (2)</li><li>• Screws D - #6, 1 3/4", flat head sheet metal screw (4)</li></ul>	<ul style="list-style-type: none"><li>• Top mounting clips (2)</li><li>• Hose clamp</li><li>• Drain hose</li><li>• Brackets (2)</li><li>• Top Hook Mounting Seats (2)</li></ul>
<b>TOOLS NEEDED</b>	
<ul style="list-style-type: none"><li>• Phillips-head screwdriver</li><li>• 1/4" and 5/16" nut driver</li><li>• Level</li><li>• Flashlight</li><li>• Gloves</li><li>• Bucket</li><li>• Adjustable wrench</li><li>• Carpenter's square (steel square)</li><li>• Measuring tape</li><li>• Safety glasses</li></ul>	
<b>MATERIALS NEEDED (KIT PURCHASED SEPARATELY)</b>	
<ul style="list-style-type: none"><li>• 90° elbow, ferrule, and compression nut — 3/8" NPT external thread on one end, with the other end sized to fit water supply line</li><li>• Teflon thread seal tape</li><li>• Three wire nuts (UL listed) (two included in kit)</li></ul>	
<b>Not included in kit</b>	
<ul style="list-style-type: none"><li>• Hand shut-off valve</li><li>• Waste tee for house plumbing (if applicable)</li><li>• Screw-type hose clamps</li><li>• Coupler for extending drain line (if applicable)</li><li>• Air gap (if required)</li></ul>	

# BEFORE INSTALLATION

DWMT-24 SPECIFICATIONS	
Panel Ready Dimensions	<ul style="list-style-type: none"><li>• 23 7/8" W x 24 1/2" D x 33 3/4" (min) - 35" (max) H</li><li>• 606 mm W x 622 mm D x 832 mm (min) - 889 mm (max) H</li></ul>



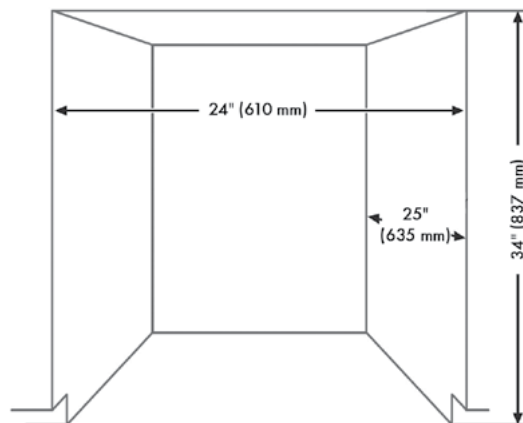
## PRE-INSTALLATION NOTES

- When installing a ZLINE door panel (see details on page 15), the depth of each unit including the panel is 25 3/16" (640 mm). The depth of each unit including the panel and handle is 27" (689 mm). Depths may vary if you install a custom panel.
- Minimum and maximum heights take into account the legs, which can be extended by roughly 1 1/4" (32 mm).
- The dishwasher must be installed so the drain hose is no more than 10' (3048 mm) in length for proper drainage.

# BEFORE INSTALLATION

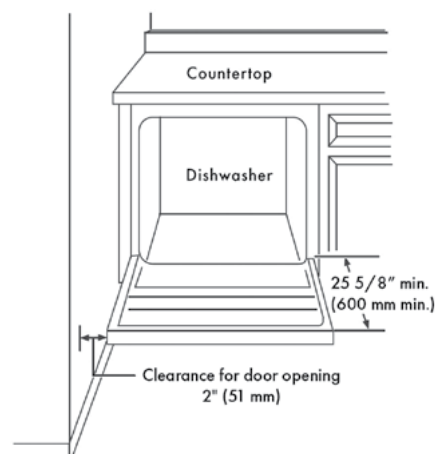
## ENCLOSURE REQUIREMENTS

This dishwasher is designed to be enclosed on the top and on both sides within a standard residential kitchen cabinet unit. The installation enclosure must be clean and free of any obstructions. Below are the minimum recommended cabinet cut-out dimensions based on the panel ready specifications provided on page 6:



## PRE-INSTALLATION NOTES

- For depth, please note the recommended 25" (635 mm) is larger than a standard 24" (610 mm) depth cabinet due to the depth of the unit itself being slightly larger.
- In order for the door panel of the dishwasher to be flush with the leading edge of the counter top, the counter top must be at least 25 3/16" (640 mm) deep. This depth may vary if you install a custom door panel.
- 34" (867 mm) is the minimum height based on legs being at their lowest setting.
- If installing into a corner, allow 2" (51 mm) minimum clearance between the dishwasher and adjacent cabinet, wall or other appliances. Allow 23 5/8" (600 mm) minimum clearance from the front of the dishwasher for opening the door, as shown below.



# BEFORE INSTALLATION

## DRAIN REQUIREMENTS

- Follow all local codes and ordinances.
- Do not exceed 10' (3048 mm) of drain hose.
- Do not connect the drain lines from other devices to the dishwasher drain hose.
- The dishwasher must be connected to a waste line with an air gap (not provided) or a minimum 32" (813 mm) high drain loop, depending on local codes and ordinances, to prevent back flow into the dishwasher.
- An air gap must be used if the waste tee or garbage disposal connection is less than 18" (457 mm) above the floor, to prevent siphoning.



# BEFORE INSTALLATION

## DRAIN PREPARATION

**NOTE:** The type of drain installation depends on answers to the following questions:

- Do local codes or ordinances require an air gap?
- Will the waste tee or garbage disposal connection be less than 18" (457 mm) above the floor?
- Will installation have a drain loop less than 32" (813 mm) above the floor?

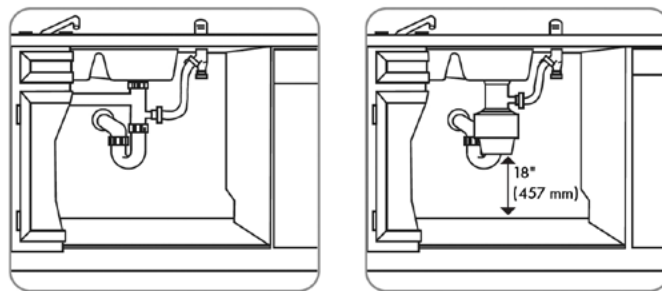
If the answer to ANY of these questions is YES, Method 1 MUST be used. Otherwise, either Method 1 or Method 2 may be used.



An air gap **MUST BE USED** if the drain hose is connected to a waste tee or garbage disposal lower than 18" (457 mm) above the floor. Failure to provide the proper drain connection height with an air gap or a 32" (813 mm) minimum high drain loop will result in improper draining of the dishwasher.

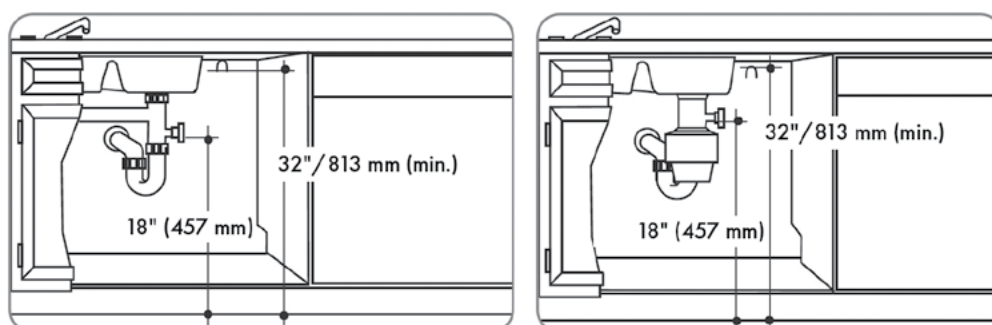
Install the waste tee or garbage disposal connection and air gap according to manufacturer's instructions.

### Method 1 - Air gap with a waste tee or garbage disposal connection



### Method 2 - High drain with a waste tee or garbage disposal connection

You must provide a method to attach the drain hose to the underside of the countertop.



# BEFORE INSTALLATION

## ELECTRICAL REQUIREMENTS

- This appliance must be supplied with 120VAC, 60Hz electricity and it must be connected to its own, properly grounded branch circuit that is protected by a 15- or 20-amp circuit breaker or time delay fuse.
- Wiring must be two wire with ground.
- If the electrical supply does not meet the above requirements, call a licensed electrician before proceeding.



**WARNING**

Disconnect power from the circuit breaker before beginning installation of this dishwasher. Do not use an extension cord or adapter plug with this appliance.

SPECIFICATIONS	
Power requirements	120VAC, 60Hz
Current	8.4 Amp
Water pressure	Between 20 and 120 psi (138 and 827 kPa)
Noise (dB)	45 dB

# BEFORE INSTALLATION

## GROUNDING INSTRUCTIONS

### Grounding Instructions – Direct Wire

This appliance must be connected to a grounded metal, permanent wiring system, or an equipment grounding conductor must be run with the circuit conductors and be connected to the equipment grounding terminal or lead on the appliance.

### Grounding Instructions – Power Cord Models

This appliance must be grounded. In the event of a malfunction or breakdown, grounding will reduce the risk of electrical shock by providing a path of least resistance for electric current. The plug must be plugged into an appropriate outlet that is installed and grounded in accordance with local codes and ordinances.



Improper connection of the equipment grounding conductor can result in a risk of electric shock. Check with a qualified electrician or service representative if you are in doubt that the appliance is properly grounded.

### Direct Wire Method

- The cable must be routed as shown in “Cabinet Preparation and Wire Routing” on “Cabinet Preparation And Wire Routing” on page 12 and extend a minimum of 24" (610 mm) from the rear wall.
- Use flexible, armored, or nonmetallic sheathed copper wire with grounding wire that meets the requirements for your home and local codes and ordinances.
- Use a UL Listed/CSA approved strain relief.

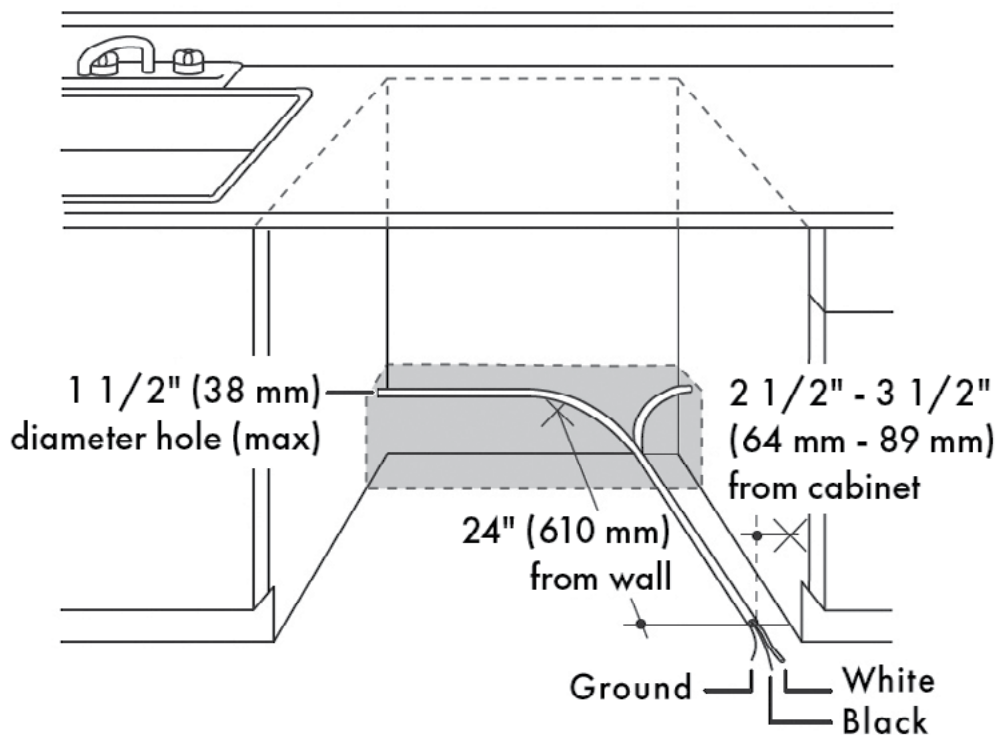
### Power Cord Method

- Install a 3-prong grounding type receptacle. The outlet can be in a cabinet or wall adjacent to the undercounter space where the dishwasher will be installed.
- Use power cord kit (part number 5304504505) under Smart Choice brand marked with Dishwasher Install Kit With Power Cord, available for purchase from an authorized hardware store. The power cord and connections must comply with local codes and ordinances.
- Recommended power cord length is between 54" and 64" (1372 to 1626 mm).

# BEFORE INSTALLATION

## CABINET PREPARATION AND WIRE ROUTING

- The wiring may enter the opening from either side, the rear, or the floor within the shaded area in the figure below.
- The electrical connection is located on the front right of the dishwasher.
- Drill a 1 1/2" (38 mm) maximum diameter hole to run the electrical cable through the wall of the cabinet.
- The hole must be free of sharp edges. If the cabinet wall is metal, the hole edge must be covered with a bushing or rubber grommet.
- Cable direct connections may pass through the same hole as the drain hose and hot water line, but power cords with plugs must pass through a separate hole.

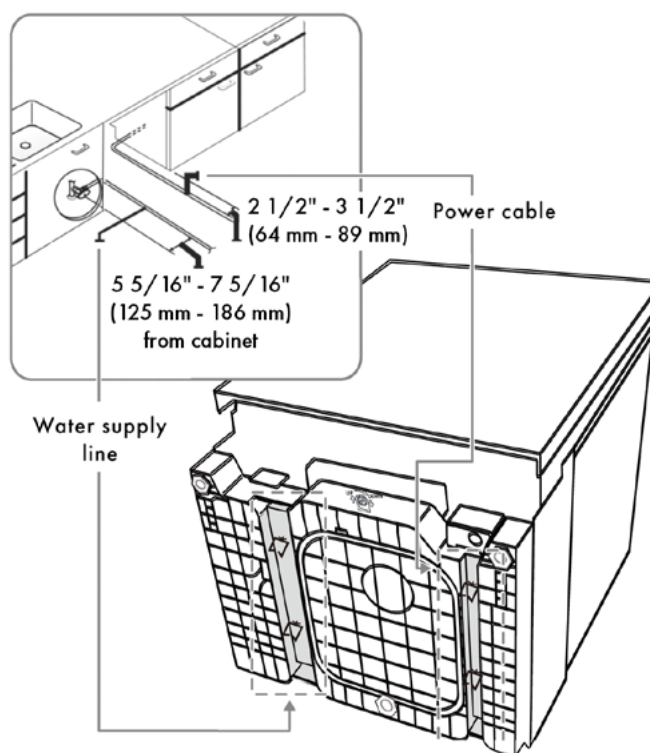
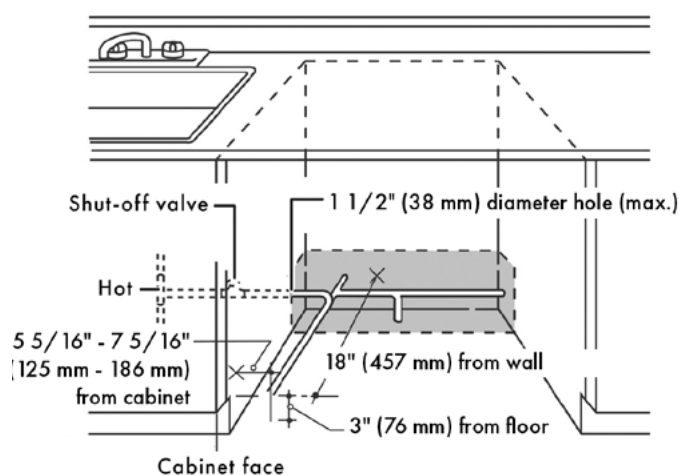




# BEFORE INSTALLATION

## PREPARING THE HOT WATER LINE

- The water connection is on the left side of dishwasher.
- The hot water line may enter the opening from either side, the rear, or the floor within the shaded area show in the figure below.
- The hot water line may pass through the same hole as the electrical and drain hose. Or, you can drill an additional 1 1/2" (38 mm) maximum diameter hole for the hot water line.
- If a power cord with a plug is used, the hot water line may not pass through the same hole as the power cord.



# BEFORE INSTALLATION

## CONNECTING THE WATER LINE TO THE WATER SUPPLY

1. Turn off the home's water supply before installing this dishwasher.
2. Install a hand shut-off valve in an accessible location, such as under the sink. This is optional, but strongly recommended, and may be required by local codes. A hand shut-off valve can be purchased at most hardware stores.
3. Install the hot water inlet line, using at least 3/8" (10 mm) tubing. Route the line as shown in the figure on page 13 and extend it forward at least 18" (457 mm) from the rear wall of the enclosure.
4. Adjust the water heater to a temperature between 120°F and 150°F (49°C and 65°C).
5. Flush the water line to clean out any debris.

**NOTE:** The hot water pressure must be between 20 and 120 psi (138 and 827 kPa).

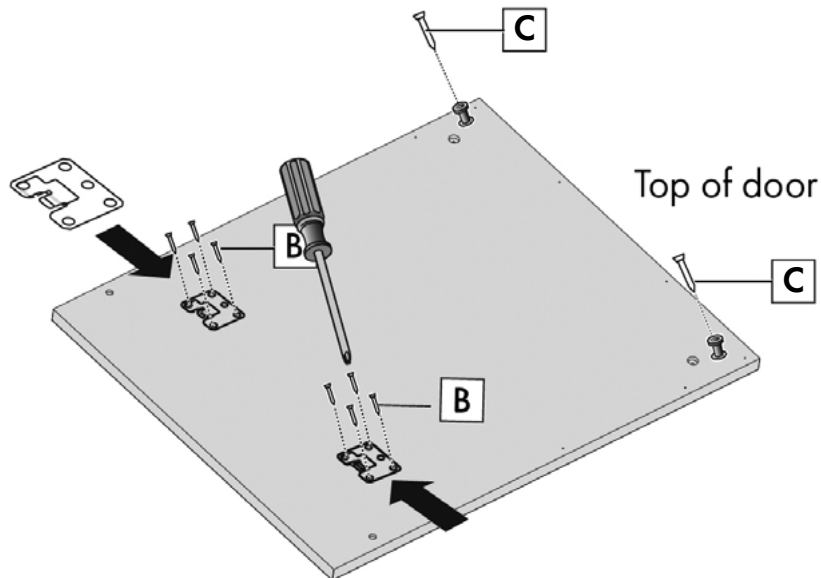
# INSTALLATION

## YOU'LL NEED

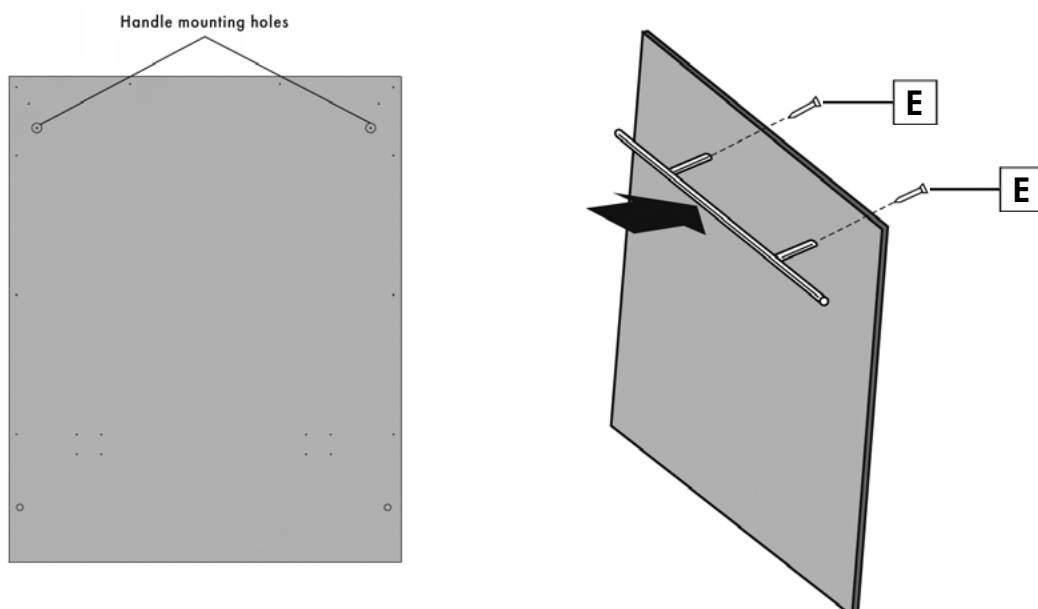
- |   |  |
|---|--|
| <ul style="list-style-type: none"><li>• Phillips-head screwdriver</li><li>• 1/4" and 5/16" nut driver</li><li>• Screws B - ST4 X 14 (8)</li><li>• Screws C - ST3.5 X 25 (2)</li></ul> | <ul style="list-style-type: none"><li>• Screws D - ST3.5 X 45 (4)</li><li>• Brackets (2)</li><li>• Top hook mounting seats (2)</li><li>• Screws E - 5mm x 80 pitch, Metric Screw (2)</li></ul> |
|---|--|

## STEP 1: INSTALL THE DECORATIVE DOOR PANEL TO THE OUTER DOOR OF THE DISHWASHER

1. Install the hook and brackets on the decorative door panel.

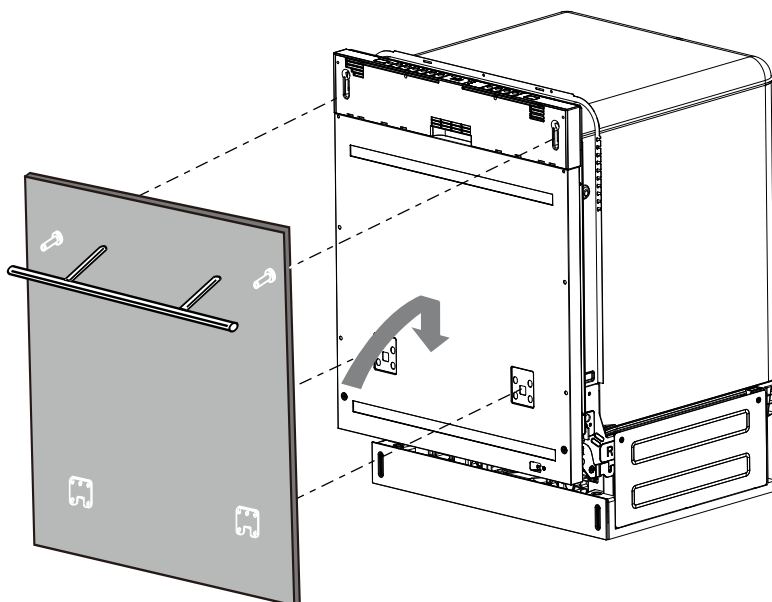


2. Install the handle to the outer door.



# INSTALLATION

3. Put the hook into the slot of the outer door for the positioning.

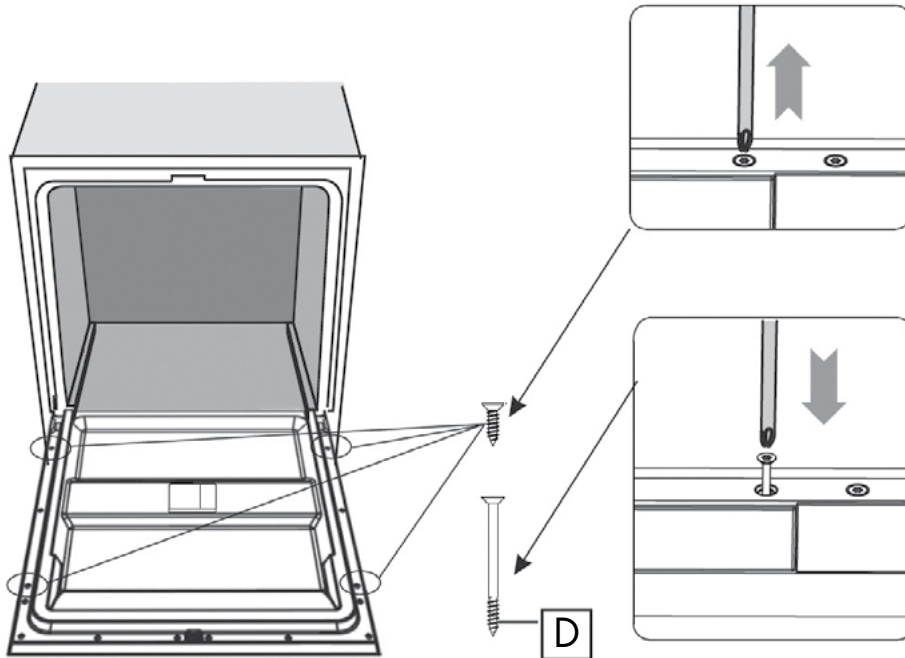


Scan here for a decorative door panel installation tutorial



# INSTALLATION

4. Fix the decorative door panel onto the outer door by screws.

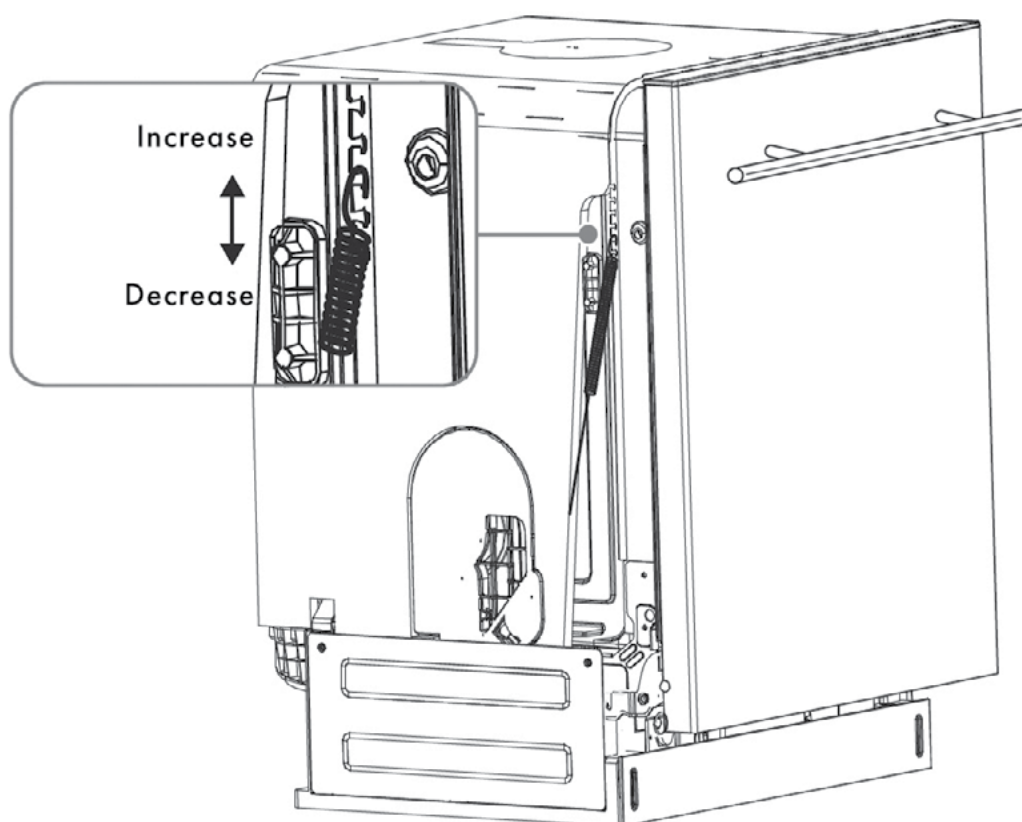


Opening the door of your dishwasher before it is installed will cause it to tip forward. Do not open the door until you are ready to install your dishwasher. If it is necessary to open the door, hold the top of the dishwasher securely with one hand and hold the door with the other hand.

# INSTALLATION

## STEP 2: CHECK THE DOOR BALANCE

1. Hold the top of the dishwasher firmly.
2. Open the door slowly, then release it. If the door drops, increase the spring tension. If the door closes, decrease the spring tension.
3. Continue moving the spring pin until the door is balanced. Adjust both springs to the same tension.



Scan here for a door tension adjustment tutorial.

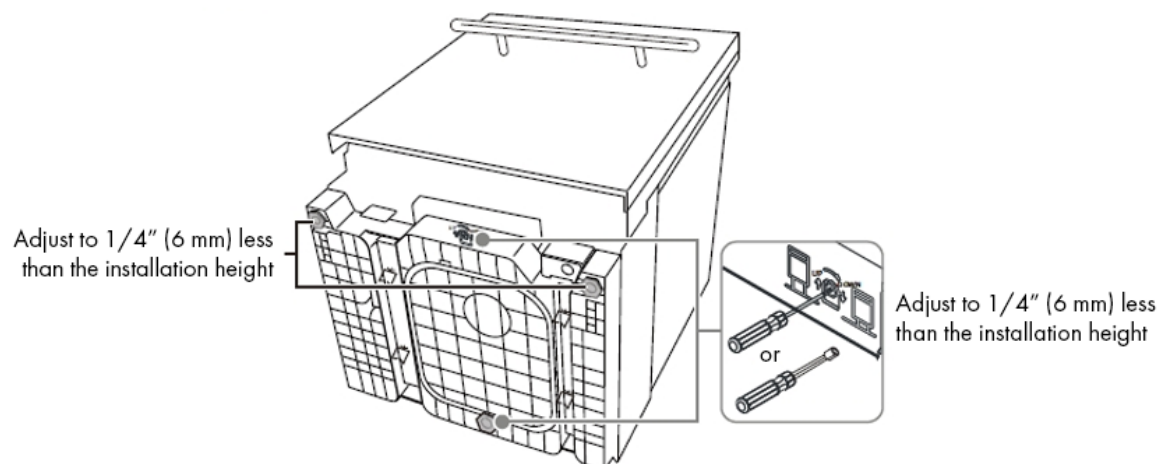
# INSTALLATION

## STEP 3: ADJUST THE LEVELING LEGS

1. Move the dishwasher close to the installation location and lay it on its back.

**NOTE:** Make sure that the leveling feet are tightened all the way or removed if trying to tilt the dishwasher.

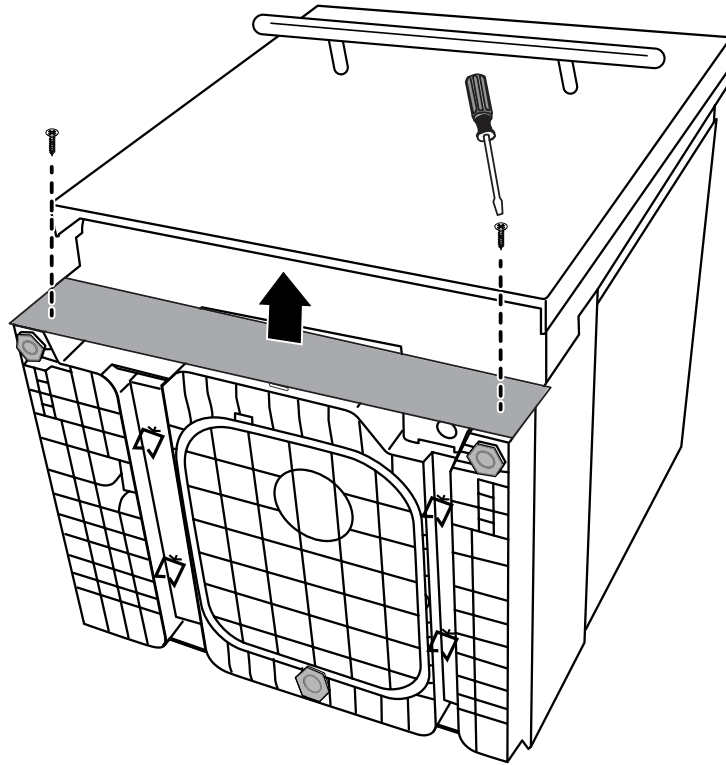
2. Measure the installation height and the dishwasher height.
3. Extend the leveling legs out from the dishwasher base  $1/4"$  (6 mm) less than the installation height. Legs can be adjusted by roughly  $1 1/4"$  (32 mm).



# INSTALLATION

## STEP 4: REMOVE THE KICK PLATE

1. Remove the two kick plate screws with a Phillips-head screwdriver, then remove the kick plate.



### YOU'LL NEED

- Adjustable wrench
- Phillips-head screwdriver
- Power cord
- Strain relief (for electrical connection)
- Three wire nuts (UL listed)

## STEP 5: INSTALL POWER

- Turn off the electricity to the dishwasher's electrical circuit.
- Make sure that the electrical power is turned off at the source.



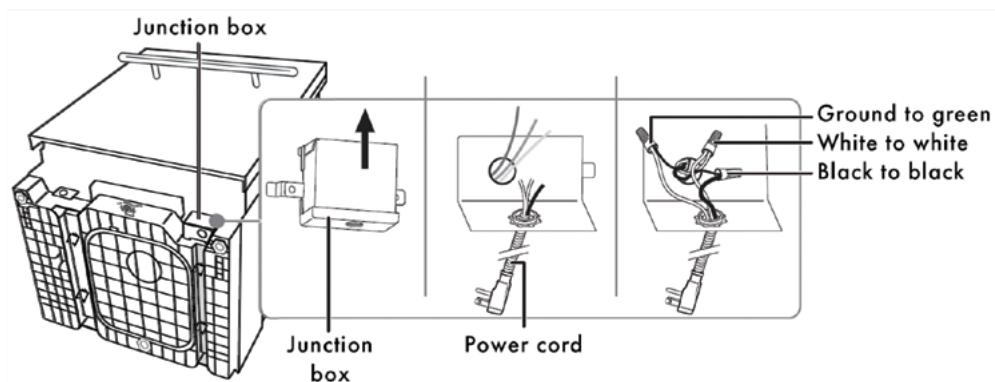
If your house wiring is not 2-wire with a ground, a ground must be provided by the installer. If your house wiring is aluminum, be sure to use cUL/UL Listed anti-oxidant compound and aluminum-to-copper connectors.

# INSTALLATION

## Power cord

1. Remove the junction box cover on the front right of the dishwasher.
2. Make sure the junction box's electrical wires are pulled inside of the junction box.
3. Remove the lock nut from the strain relief, then push the strain relief into the round opening of the junction box.
4. Install the lock nut on the strain relief from inside the junction box.
5. Insert the ends of the power cord's electrical wires into the junction box through the strain relief.
6. Connect the incoming white (or ribbed) wire to the dishwasher's white wire, the black (or smooth) wire to the dishwasher's black wire, and the ground wire to the dishwasher's green wire. Use cUL/UL listed wire nuts of the appropriate size.
7. Tighten the strain relief screws and lock nut to stabilize the power cord's electrical wires, then make sure that all of the connections are secure.
8. Replace the junction box cover on the right front of the dishwasher. Be sure that the wires are not pinched under the cover.

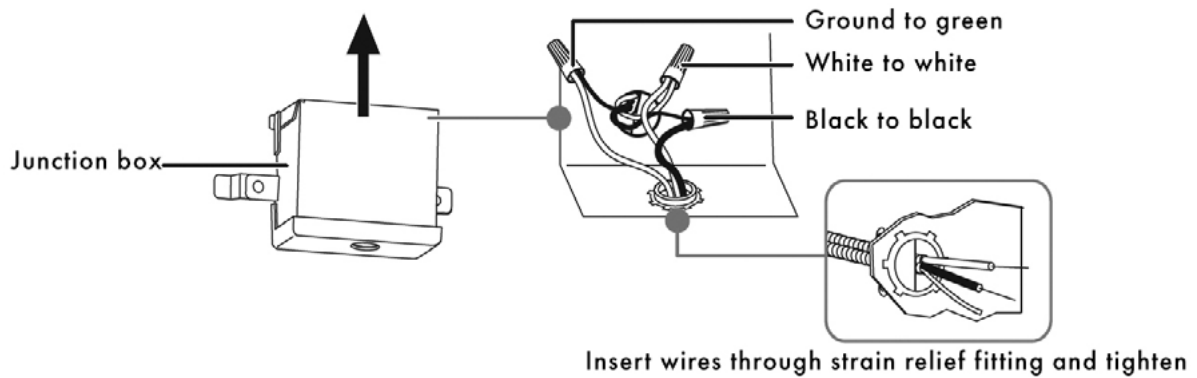
**NOTE:** If you have trouble replacing the junction box cover, loosen the screws on the strain relief.



# INSTALLATION

## Direct wiring

1. Remove the junction box cover from the power supply junction box on the wall.



2. Locate the three dishwasher wires, (white, black, and green) with stripped ends, then insert the dishwasher wires through the small hole in the junction box.
3. Secure the house wiring to the bottom of the junction box with a strain relief fitting.
4. Use wire nuts to connect incoming ground to green, white to white, and black to black.
5. Replace the junction box cover. Make sure that no wires are pinched under the cover.

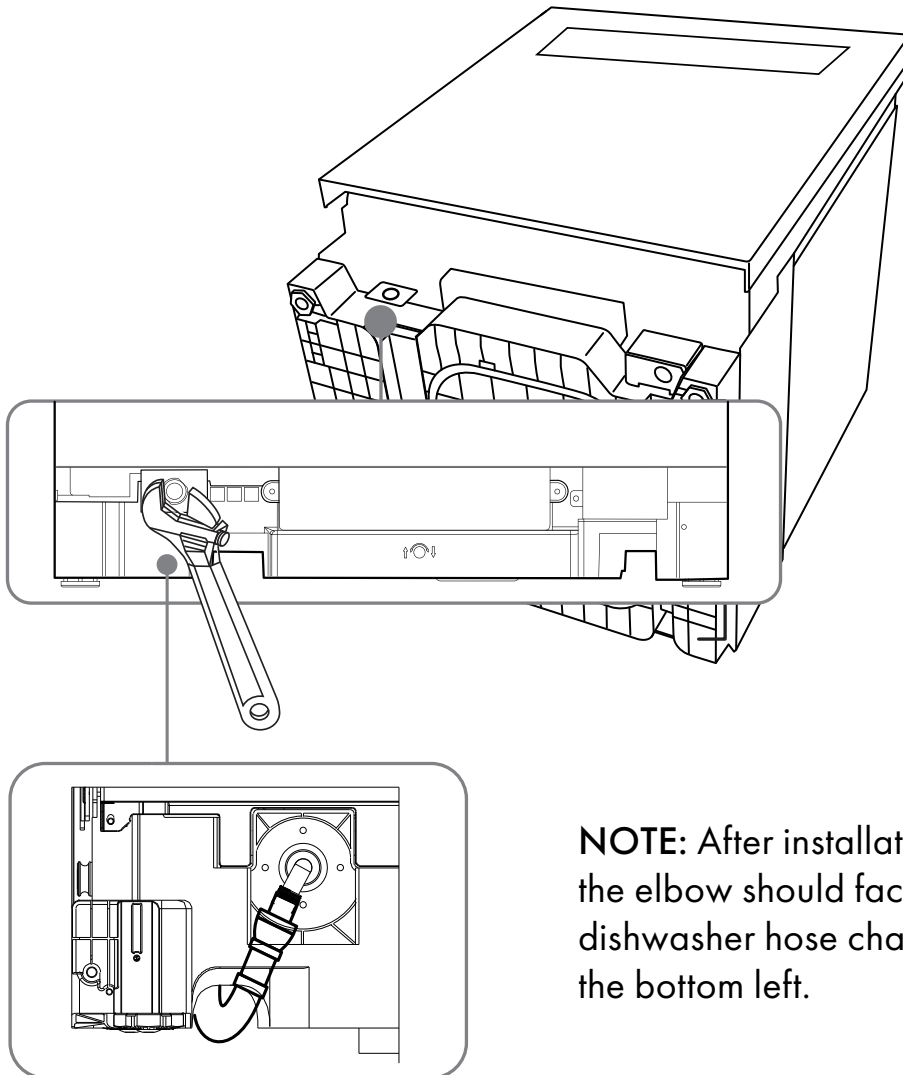
# INSTALLATION

## YOU'LL NEED

- Adjustable wrench
- Teflon thread seal tape
- 90° elbow

## STEP 6: INSTALL THE 90° WATER SUPPLY ELBOW

1. Install the 90° elbow onto the water valve. Do not overtighten the 90° elbow; the water valve bracket could bend or the water valve fitting could break.
2. Position the end of the elbow to face the floor when the dishwasher is upright.



**NOTE:** After installation, the elbow should face the dishwasher hose channel at the bottom left.



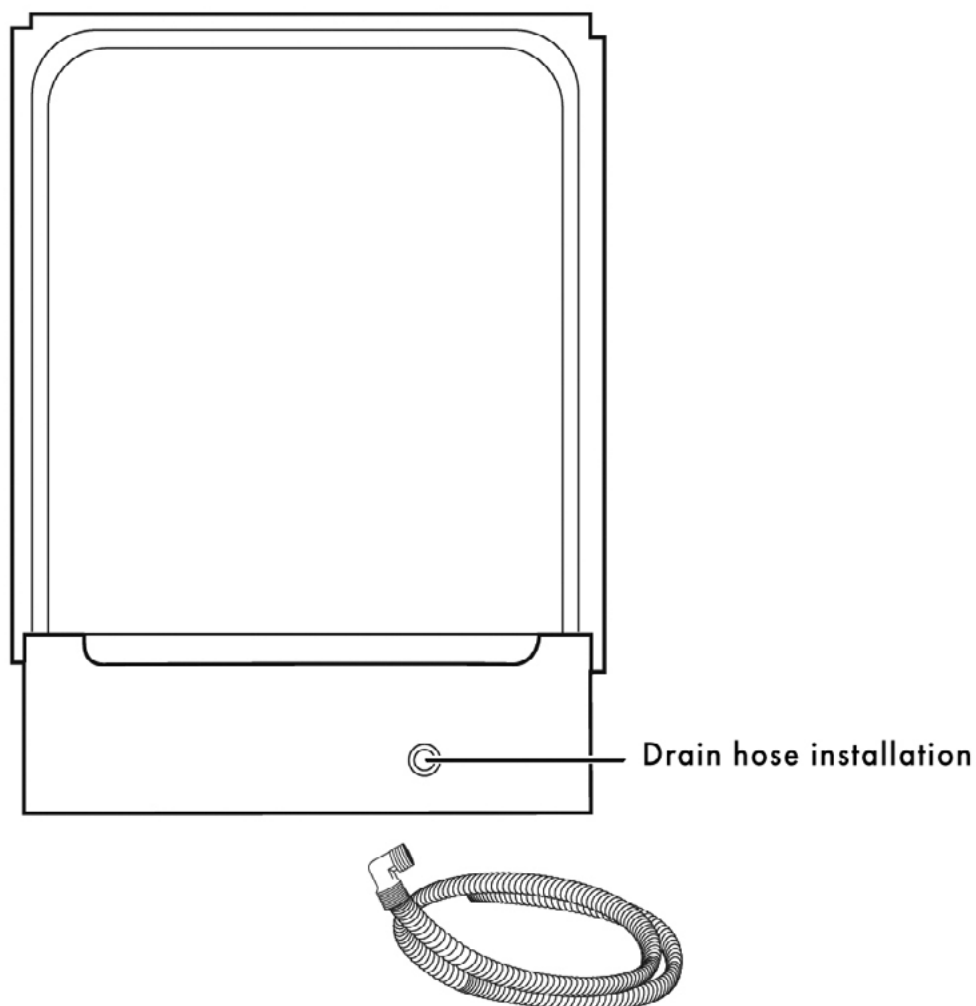
# INSTALLATION

## YOU'LL NEED

- Phillips-head screwdriver
- Drain hose
- Screw-type hose clamps

## STEP 7: INSTALL THE DRAIN HOSE

1. Make sure that the leveling feet are loosened before standing the dishwasher upright. They may be tight from shipping/packaging.
2. Turn the dishwasher upright.
3. Slide a screw-type hose clamp onto the right-angled end of the drain hose.
4. Install the drain hose to the dishwasher drain outlet on the back of the dishwasher, then tighten the screw-type hose clamp.



# INSTALLATION

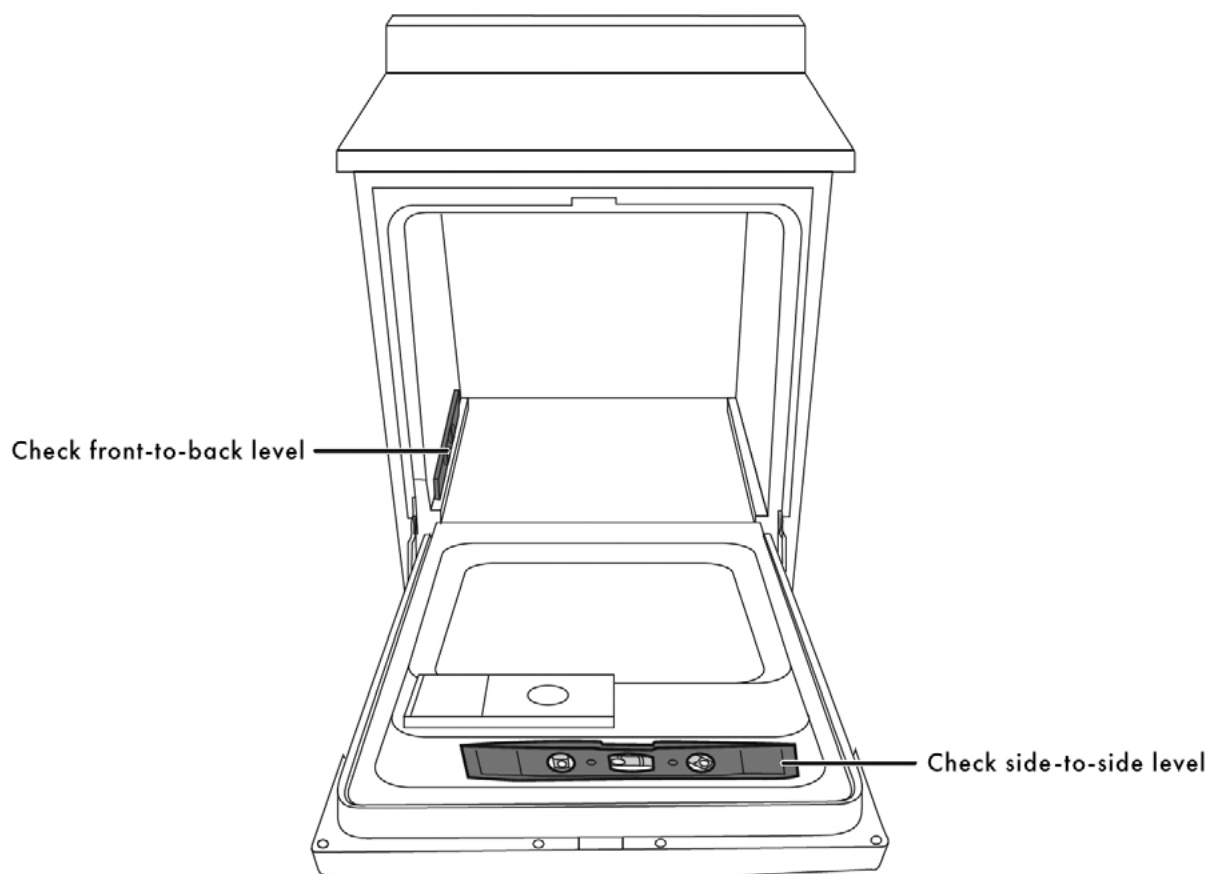
## STEP 8: LEVEL THE DISHWASHER

**IMPORTANT:** The dishwasher must be level for proper dish rack operation and wash performance.

### YOU'LL NEED

- Adjustable wrench
- Philips screwdriver
- Level

1. Open the door, then place a level on the door and on the rack track inside the tub to make sure the dishwasher is level.



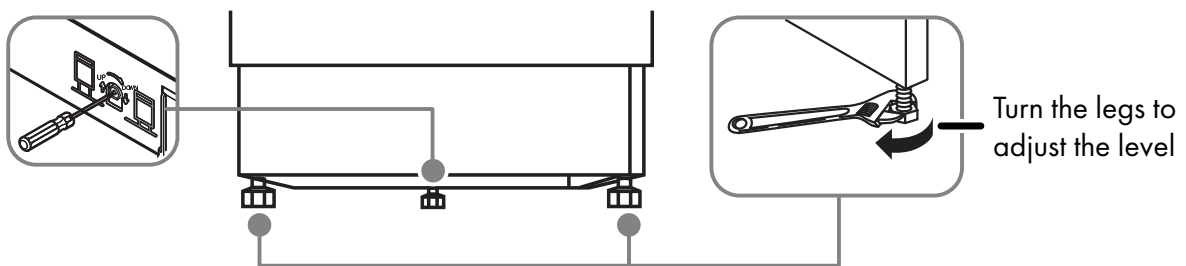
# INSTALLATION

2. Level the dishwasher by adjusting the three leveling legs individually.

**TIP:** To check for proper leveling, pull the lower rack out about halfway. Make sure that the rack does not roll forward or back into the dishwasher. If the rack rolls in either direction, you must level the dishwasher again.

**NOTE:** You may need to pull your dishwasher out of the cabinet if major adjustments to the leveling legs are required.

3. If the door hits the tub, the dishwasher is not installed correctly. Adjust the leveling legs to align the door to the tub.

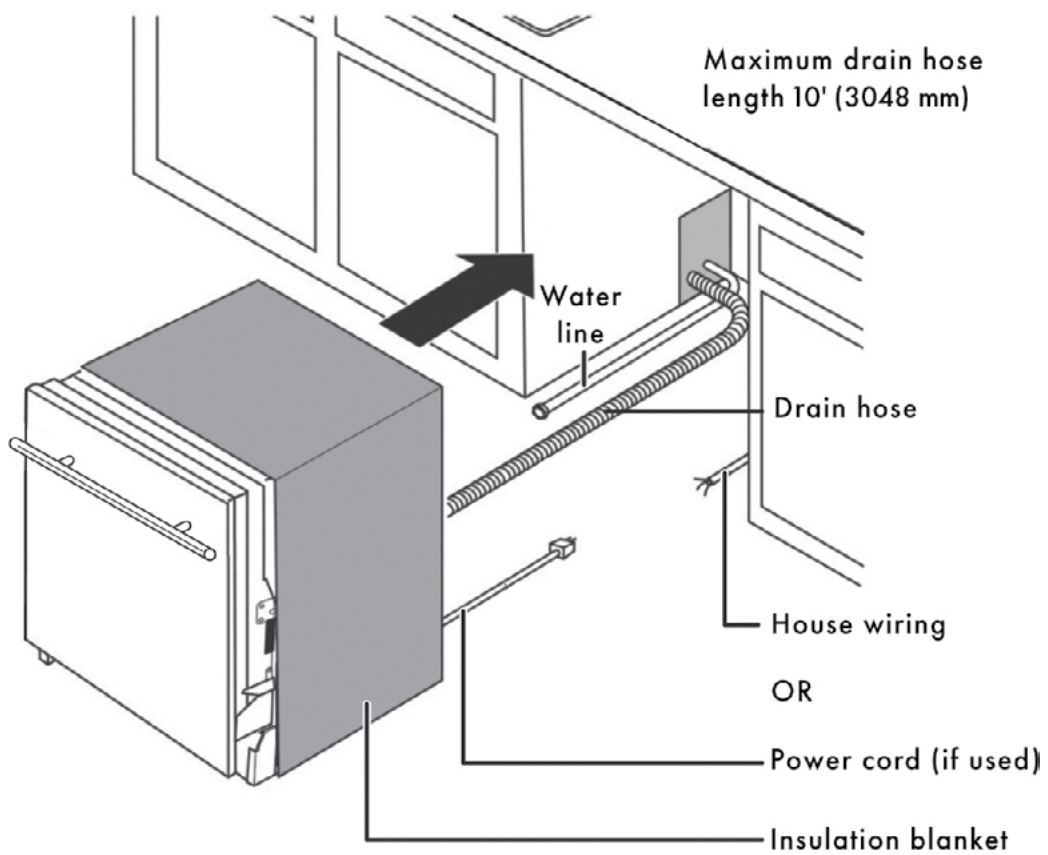


# INSTALLATION

## STEP 9: INSERTING THE DRAIN HOSE THROUGH THE CABINET

- Insert the drain hose into the hole in the cabinet wall. If a power cord is used, guide the end through a separate hole.

**TIP:** Position the water line and house wiring on the floor to avoid interfering with the base of the dishwasher.



# INSTALLATION

## STEP 10: SLIDE THE DISHWASHER PARTIALLY INTO THE CABINET



Do not push against the front panel with your knees. Damage will occur.

1. Position the dishwasher in front of the opening, then slide the dishwasher into the opening a few inches at a time.
2. Pull the drain hose through the opening under the sink as you proceed. Stop when the dishwasher is a few inches in front of the adjacent cabinetry.
3. Make sure that the drain hose is not kinked under the dishwasher and that there is no interference with the water line, wiring, or any other component.

Do not push against the front door panel with your knees. You will damage the front panel.



## STEP 11: POSITION THE DISHWASHER UNDER THE COUNTERTOP

1. Make sure that the wires are secure under the dishwasher and not pinched or in contact with door springs or other dishwasher components.

**TIP:** Check tub insulation blanket, if equipped. It should be positioned so it is not bunched up or interfering with door springs. Check by opening and closing the door.

2. Push the dishwasher into the cabinet. The front corners of the dishwasher door should be flush with the cabinet doors. Be careful not to dent the front panel with your knees or damage the countertop or cabinets with dishwasher parts.

**NOTE:** You will not have access to the back leveling legs once the dishwasher is put in place.

Do not push against the front door panel with your knees. You will damage the front panel.



Reposition the dishwasher by grasping both sides with your hands.

# INSTALLATION

## YOU'LL NEED

- Phillips-head screwdriver
- Screws A ST4 x 20 (2)  
(two for each method)
- Top mounting clips (2)

## STEP 12: SECURING THE DISHWASHER TO THE COUNTERTOP

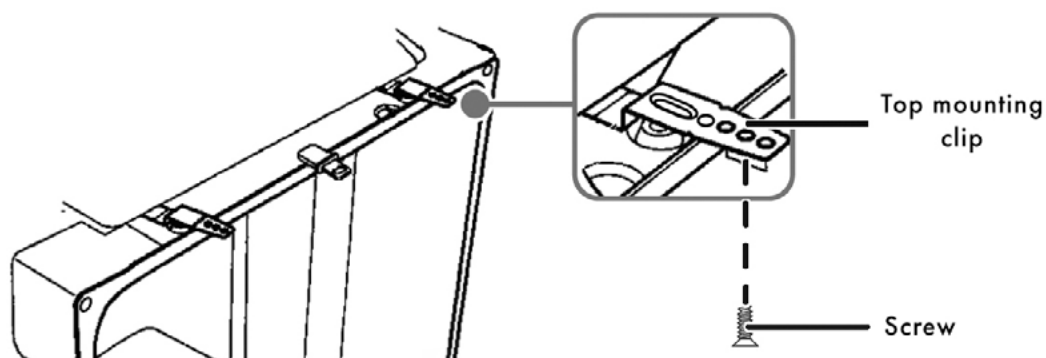
For counter tops made of wood or materials that won't be damaged by drilling, use Method 1.

- For counter tops made of granite, marble, or other materials that could be damaged by drilling, use Method 2.
- If the gap between the control panel and the cabinet is less than 7/16" (11 mm), use Method 2.

### Method 1

1. Insert the long top mounting clips into the slot.
2. Bend the brackets to secure them to the dishwasher tub.
3. Secure the dishwasher to the countertop through the holes in the brackets, using the screws provided.

**IMPORTANT:** Drive the screws straight and flush. Protruding screw heads will scratch the top of the control panel and interfere with the door closing.



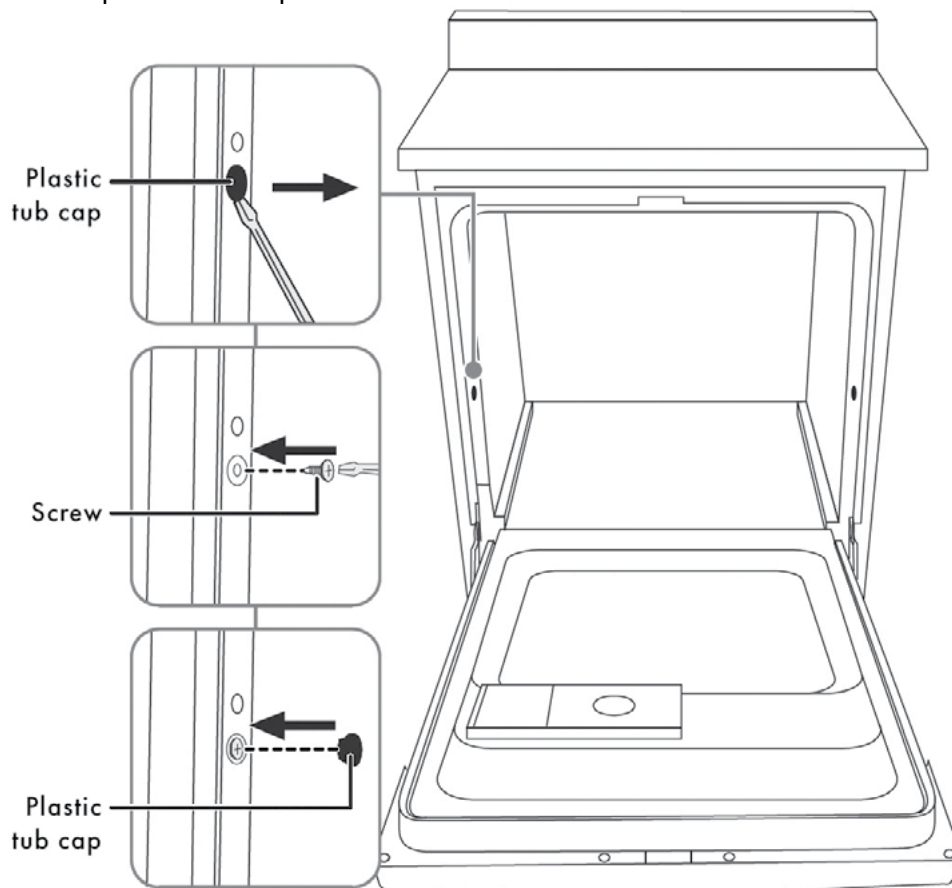
# INSTALLATION

## Method 2

1. Remove the plastic tub caps from the inside of the dishwasher tub.
2. Drive a wood screw through the hole in the side of the dishwasher into the cabinet frame.

**IMPORTANT:** Drive the screws straight and flush. If the screws are too tight, the sides will bow. Do not overtighten. Protruding screw heads will scratch the side of the dishwasher. This method is for attaching the dishwasher to the side of the cabinet and it should be done when the countertop is made of granite or other breakable materials.

3. Reinsert the plastic tub caps.





# INSTALLATION

## YOU'LL NEED

- Adjustable wrench
- Hot water line kit
- Teflon thread seal tape

## STEP 13: CONNECTING THE WATER SUPPLY LINE

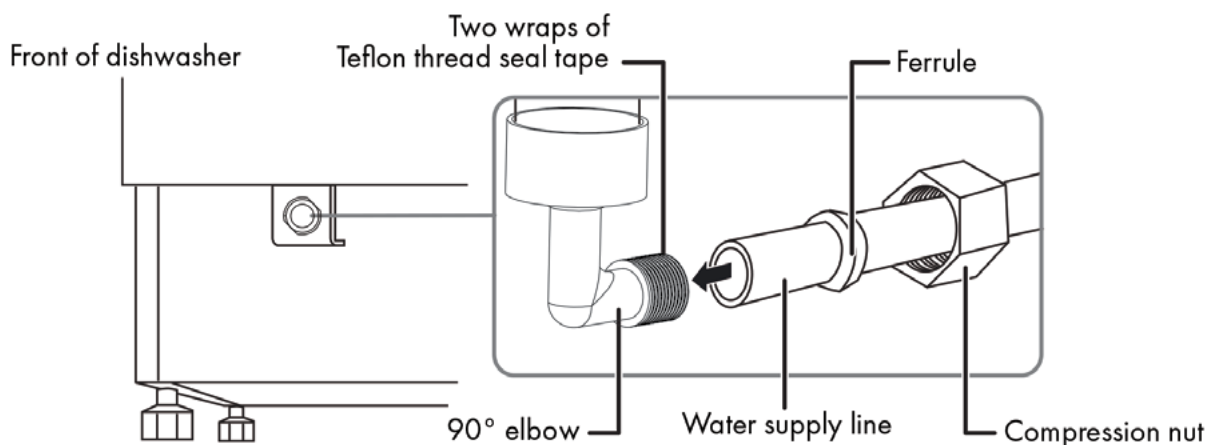
1. Make sure that you wrapped the 90° elbow with Teflon thread seal tape twice.

**NOTE:** After installation, the elbow should face the dishwasher hose channel at the bottom left.

2. Slide the compression nut, then the ferrule over the end of the water supply line.

**NOTE:** If you use braided stainless steel, you do not need a ferrule or compression nut.

3. Insert the water supply line into the 90° elbow.
4. Slide the ferrule against the 90° elbow and secure it with the compression nut.



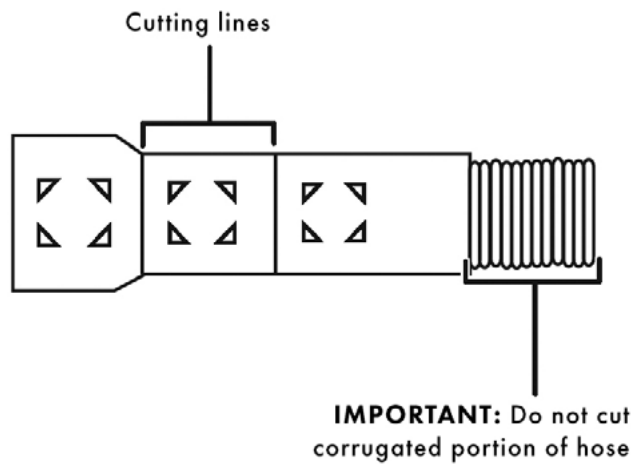
**IMPORTANT:** Make sure that the door spring does not rub or contact the water supply line or drain hose. Test by opening and closing the door. Reroute the lines if interference occurs.

# INSTALLATION

## STEP 14: CONNECTING THE DRAIN HOSE

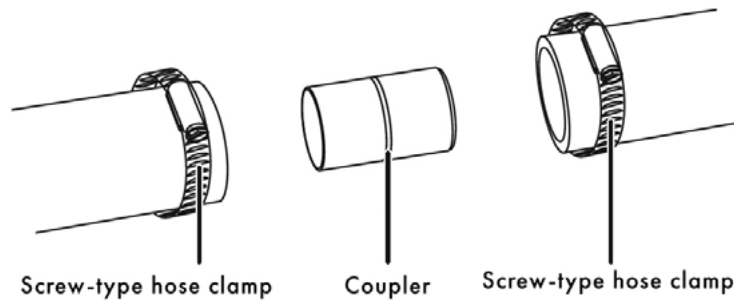
**IMPORTANT:** Follow all local codes and ordinances.

1. Cut on the marked line as required for your installation. The drain hose's molded end will fit 5/8" (16 mm) or 1" (25 mm) diameter connections on the air gap, waste tee, or garbage disposal.



2. If a longer drain hose is required, you can add up to 42" (1067 mm) of length, for a total of 10' (3048 mm) to the factory installed hose. Use 5/8" (16 mm) or 7/8" (22 mm) inside diameter hose and a coupler to connect the two hose ends. Secure the connection with screw-type hose clamps.

**IMPORTANT:** For proper drain operation, the total drain hose length must not exceed 10' (3048 mm).



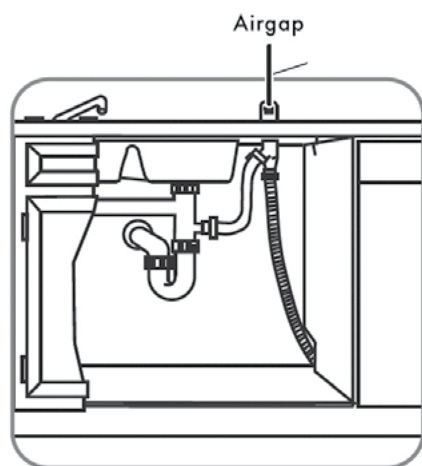
3. Secure the drain hose to the air gap, waste tee, or garbage disposal with a screw-type clamp, using the appropriate method below. See "Drain Preparation" on page 9 if you do not know which method to use.

# INSTALLATION

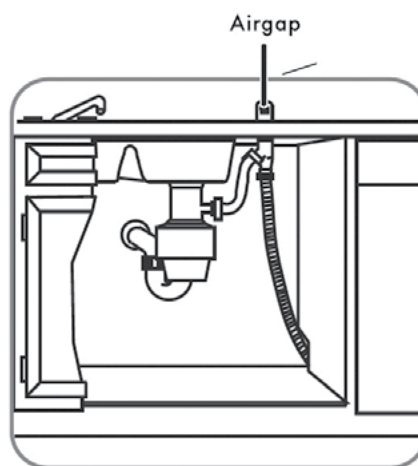
## YOU'LL NEED

- Phillips-head screwdriver
- Coupler for extending drain line (if applicable)
- Screw-type hose clamps

Method 1 - Air gap to a waste tee or garbage disposal.

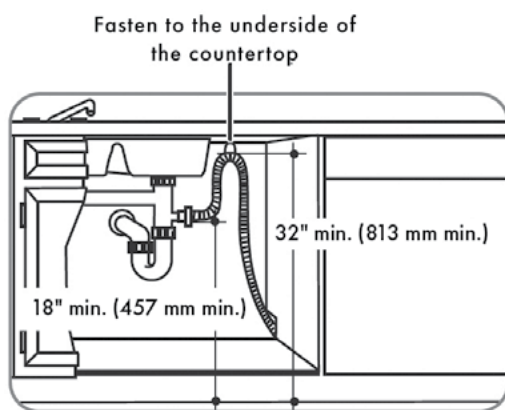


Waste tee installation

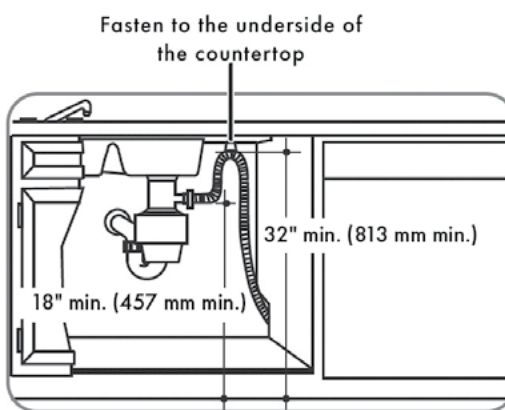


Garbage disposal installation

Method 2 - High drain loop to a waste tee or garbage disposal.

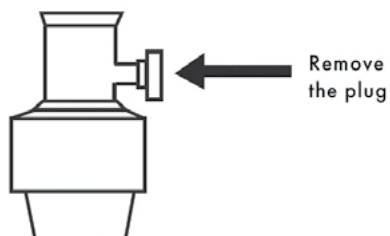


Waste tee installation



Garbage disposal installation

4. If connecting the drain line to a garbage disposal, make sure that the drain plug has been removed. Your dishwasher will not drain if the plug is left in place.



# INSTALLATION

## STEP 15: PERFORMING A PRE-TEST CHECK

**NOTE:** Review this list after installing your dishwasher to avoid problems or charges for a service call not covered by your warranty.

- Make sure that power is turned OFF.
- Make sure all foam and paper packaging is removed.
- Locate the User Manual included with this appliance.
- Read the User Manual for operating instructions.
- Check the door opening and closing. If the door does not open and close freely, or tends to fall open, check the spring adjustments. See “Step 2: Check The Door Balance” on page 18.
- Make sure that the wiring is secure under the dishwasher and not pinched or in contact with door springs or other components. See “Step 11: Position The Dishwasher Under The Countertop” on page 28.
- Check the door alignment with the tub. If the door hits the tub, level the dishwasher. See “Step 8: Level The Dishwasher” on page 25.
- Check the door alignment with the cabinet. If the door hits the cabinet, reposition or re-level the dishwasher. See “Step 8: Level The Dishwasher” on page 25.
- Pull the lower rack out about half way. Make sure that it does not roll back or forward on the door. If the rack moves, adjust the leveling legs. See “Step 8: Level The Dishwasher” on page 25.
- Make sure that water supply and drain lines are not kinked or in contact with other components. Any contact with the motor or dishwasher frame could cause a noise. See “Step 10: Slide The Dishwasher Partially Into The Cabinet” on page 28.
- Turn on the sink’s hot water faucet and verify the water temperature. Incoming water temperature must be between 120°F and 150°F (49°C and 65°C). A minimum of 120°F (49°C) temperature is required for best wash performance. See “Preparing The Hot Water Line” on page 13.
- Add a half gallon of water to the bottom of the dishwasher to lubricate the pump seal upon first use.
- Turn on the water supply. Check for leaks. Tighten connections if needed.
- Remove any protective film (if present) from the control panel and door.

# INSTALLATION

## STEP 16: WET TESTING THE DISHWASHER

1. Turn on the power supply (or plug the power cord into the outlet).
2. Select rinse cycle on dishwasher (refer to the User Manual for instructions).
3. Press START/CANCEL and close door.
4. Make sure that water enters the dishwasher. If water does not enter the dishwasher, check to be sure that water and power are turned on.
5. Check for leaks under the dishwasher. If a leak is found, turn the power supply off, then tighten connections. Restore power after the leak is corrected. Then repeat test, starting at step 1.
6. Check for leaks around the door. A leak around the door could be caused by the door rubbing or hitting against adjacent cabinetry. Reposition the dishwasher if necessary. Refer to "Step 11: Position The Dishwasher Under The Countertop" on page 28 for assistance.
7. When the dishwasher is draining, check the drain lines for leaks. If leaks are found, turn off the power supply and correct plumbing as necessary.
8. Restore the power after corrections are made. See "Step 13: Connecting The Water Supply Line" on page 31.
9. Run the dishwasher through another fill and drain cycle. Check for leaks and correct if required.
10. Open the dishwasher door and make sure that most of the water has drained. If not, check that the disposer plug has been removed and/or the air gap is not restricted. See "Step 14: Connecting the drain hose" on page 32. Also check the drain line for kinking.\*

**NOTE:** When checking for water, there should be no standing water in the bottom of the tub, but there will be water in the sump system underneath the filter. This is normal and is to keep the seals and system from drying out and causing leaks. The water that is left in the sump is clean water that has not been used to clean dishes.

# WARRANTY

## COVERAGE

ZLINE Kitchen and Bath dishwasher products will be warrantied for one year from the original purchase date for the original purchaser of the product. This warranty covers all parts and labor for necessary repairs if any part of the product proves to be defective in materials or workmanship. The product must be deemed serviceable via troubleshooting with the ZLINE Kitchen and Bath service team. All service on ZLINE Kitchen and Bath dishwasher products under the below warranty must be performed by ZLINE approved and certified service, unless otherwise specified by ZLINE Kitchen and Bath. Service will be provided during normal business hours.

## TERMS

This warranty applies only to the original purchaser of the product installed for normal residential use. This is defined as a single-family, residential dwelling in a non-commercial setting. Commercial settings include but are not limited to: schools, churches, hotels, restaurants, vacation rentals such as Airbnb, day care centers, private clubs, fire stations, common areas in multi-family dwellings, nursing homes, food service locations, and institutional food service locations such as hospitals or correction facilities. This warranty is non-transferable and will not be extended based on the date of installation. The warranty applies only to products installed in the continental United States and the District of Columbia.

Failure to secure certified warranty service per these terms will result in a forfeiture of the remaining warranty. Out of pocket payments will not be reimbursed unless prior approval is received from ZLINE Kitchen and Bath and/or our service contract partner. Unapproved out of pocket payments for service will not be reimbursed. All warranty procedures must be followed to maintain warranty coverage.

Warranty shall not apply and ZLINE Kitchen and Bath is not responsible for damage resulting from negligence, improper maintenance, misuse, abuse, alteration of or tampering with the appliance, accident, natural disaster, improper electric supply, unauthorized service or repair, improper installation, or installation not in accordance with the instructions contained in the manual or the local government codes.

# WARRANTY

## WHAT IS NOT COVERED

1. Installation or start-up damages or problems caused by improper installation or use.
2. Damage related to unauthorized service or unauthorized parts.
3. Installation in any commercial or non-residential application.
4. Aesthetic damage, scratches, or natural wear caused by normal use.
5. Second-hand, open box products, or products purchased from an unauthorized retailer.

**NOTE:** In the event that service is dispatched, and it is discovered that the reported issue is not covered under warranty based on the disclaimers above, the customer will be responsible for all service fees. Failure to pay these fees will result in the forfeiture of remaining warranty coverage.



The rating tag shows the model and serial number of your dishwasher. The product label and rating tag is located on the right-hand side of the inner door of the dishwasher. The tag is visible when the dishwasher door is open. Do not remove permanently affixed labels, warnings, or plates from the product. This will void the warranty.



## SERVICE

For warranty service, please contact our Customer Service team at 1-614-777-5004 or visit [www.zlinekitchen.com/contact](http://www.zlinekitchen.com/contact) to utilize our online Customer Experience Portal.



Need to purchase a part or accessory for your ZLINE product?  
Visit [www.zlineparts.com](http://www.zlineparts.com), ZLINE's official parts distribution partner.



2.3.2

1-614-777-5004

[www.zlinekitchen.com](http://www.zlinekitchen.com)

[contact@zlinekitchen.com](mailto:contact@zlinekitchen.com)

**ZLINE**  
ATTAINABLE LUXURY®